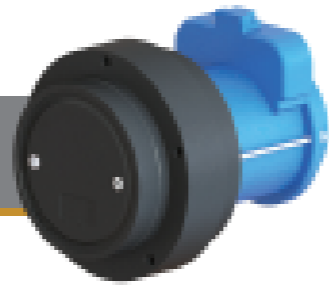


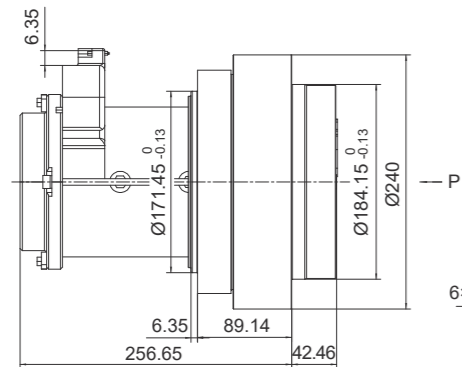
WHEEL DRIVE

1000 Series

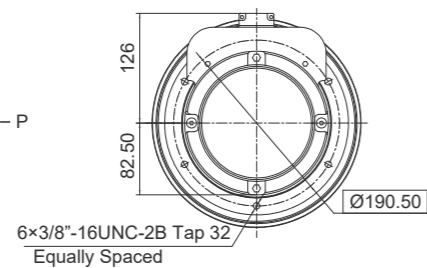


UNITS: mm
1inch=25.4mm
Weight:53.5kg

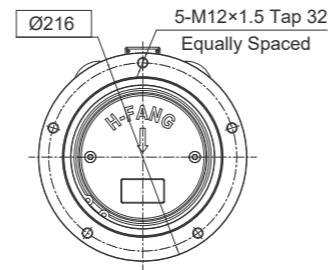
TOP VIEW



FRONT VIEW



VIEW P



Wheel Drive Performance Parameters

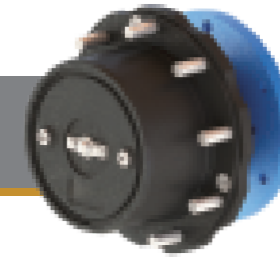
Item	DC Drive Parameters	AC Drive Parameters
Application Type	8-14m Scissor Lift(Electric Drive)	14-16m Scissor Lift(Electric Drive)
Gradeability	25%	25%
Ratio	45.13:1	45.13:1
Output Type	Hub Output	Hub Output
Rated Output Torque(Nm)	395	500
Output Torque(Max.)(Nm)	790	1000
Rim Bolts Circle Diameter(mm)	216	216
Rim Bolts Specification	5-M12x1.5	5-M12x1.5
Rim Pilot Diameter (mm)	184.15 ⁰ _{-0.13}	184.15 ⁰ _{-0.13}
Outer Diameter of Reducer Housing(Max.)(mm)	240	240
Frame Installation Pilot Depth(mm)	6.35	6.35
Frame Installation Pilot Diameter(mm)	171.45 ⁰ _{-0.13}	171.45 ⁰ _{-0.13}
Frame Mounting Bolts Circle Diameter(mm)	190.50	190.50
Frame Mounting Bolts Specification	6-3/8"-16UNC	6-3/8"-16UNC
Distance from Rim Mounting Surface to Motor Rear(mm)	256/218	258
Voltage(V)	24V DC Motor	24V AC Motor
Power(W)	800	870/1000
Rated Braking Torque(Nm)	20	20

SPECIAL DESIGN BASE ON CUSTOMER'S REQUIREMENT

NOTICE
 • This drawing is just for your refence.
 • This drawing is subject to change due to new design without prior notice.

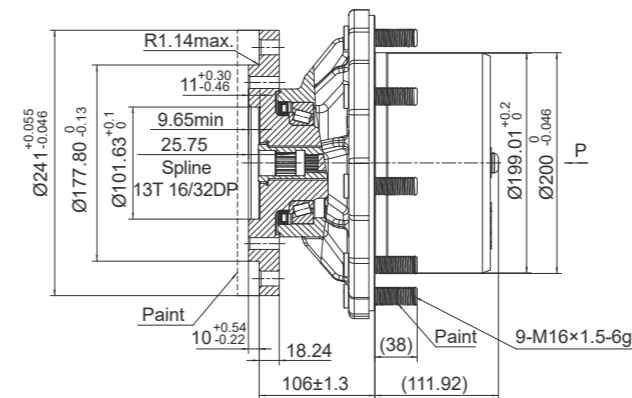
WHEEL DRIVE

4000 Series

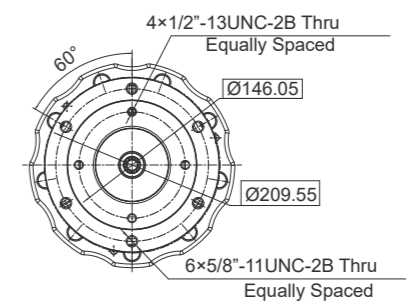


UNITS: mm
1inch=25.4mm
Weight:39.9kg

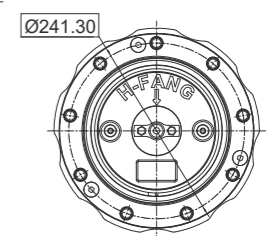
SIDE VIEW



FRONT VIEW



VIEW P



Wheel Drive Performance Parameters

Item	DC Drive Parameters
Application Type	14-16m Articulating Boom Lift(Electric Drive)
Gradeability	45%
Ratio	64.08:1
Output Type	Hub Output
Rated Output Torque(Nm)	2800
Output Torque(Max.)(Nm)	5600
Rim Bolts Circle Diameter(mm)	241.30
Rim Bolts Specification	9-M16x1.5
Rim Pilot Diameter (mm)	200 ⁰ _{-0.046}
Outer Diameter of Reducer Housing(Max.)(mm)	278
Frame Installation Pilot Depth(mm)	10 ^{+0.54} _{-0.22}
Frame Installation Pilot Diameter(mm)	177.80 ⁰ _{-0.13}
Frame Mounting Bolts Circle Diameter(mm)	209.55
Frame Mounting Bolts Specification	6-5/8"-11UNC
Total Length of Reducer(mm)	216
Voltage(V)	101.63 ⁰ _{-0.13}
Power(W)	11 ^{+0.30} _{-0.46}
Rated Braking Torque(Nm)	13T-16/32 DP

SPECIAL DESIGN BASE ON CUSTOMER'S REQUIREMENT

NOTICE
 • This drawing is just for your refence.
 • This drawing is subject to change due to new design without prior notice.